

**Miele**

Classic Plus 3D  
Fully Integrated Dishwasher 6" Toe Kick

CLASSIC PLUS 3D

G 4993 SCVi



**ADA**  
COMPLIANT

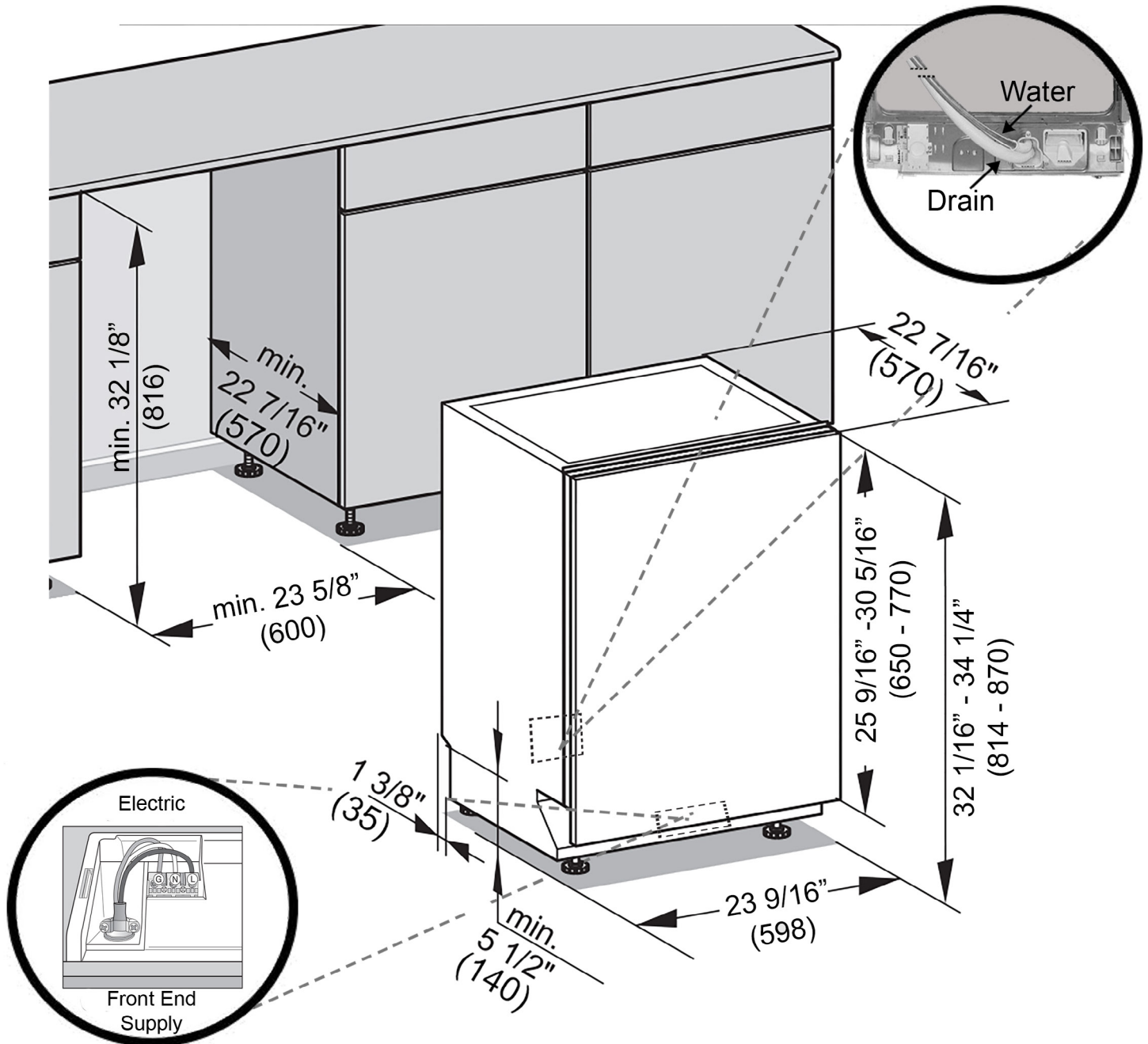
## Classic Plus 3D Fully Integrated Dishwasher 6" Toe Kick

SPECIFICATIONS	
Overall Unit Dimensions	23 <sup>9</sup> / <sub>16</sub> " (598mm) W x 32 <sup>1</sup> / <sub>16</sub> " - 34 <sup>1</sup> / <sub>4</sub> " (814 - 870mm) H x 22 <sup>7</sup> / <sub>16</sub> " (570mm) D
Niche	
Minimum Cabinet Opening Dimensions	23 <sup>5</sup> / <sub>8</sub> " (600mm) W x 32 <sup>1</sup> / <sub>8</sub> " (816mm) H x 22 <sup>7</sup> / <sub>16</sub> " (570mm) D
Plumbing	
Water Supply Requirements	May be connected to a cold or hot water supply up to a maximum of 140°F/60°C. Must be connected to a shut-off valve with a male 3/8" compression. The water shut-off valve must be accessible after installation. The water pressure must be between 4.35 psi (0.3 bar) and may not exceed 145 psi (10 bar). If the pressure is higher than 145 psi (10 bar), a pressure reducing valve must be installed.
Water Connection Line	4' 11" (1.5m) flexible water intake hose is supplied with a 3/8 compression connection.
Drain Hose	4' 11" (1.5m) flexible drain hose is supplied.
Electrical	
Electrical Requirements - Volts/Amps	110V / 120V, 60Hz, 15 Amps
Power Cord - Plug and length	NEMA 5-15 plug, 5' 6" (1.7m), Convertible to Hardwire
Shipping	
Shipping Weight	118 lbs (53.5kg)
Support	
Call Miele	800.843.7231
Miele Website	🌐 <a href="http://www.mieleusa.com">www.mieleusa.com</a>
20/20 Link	🌐 <a href="http://2020technologies.com">2020technologies.com</a>



G 4993 SCVi  
Item 21499362USA

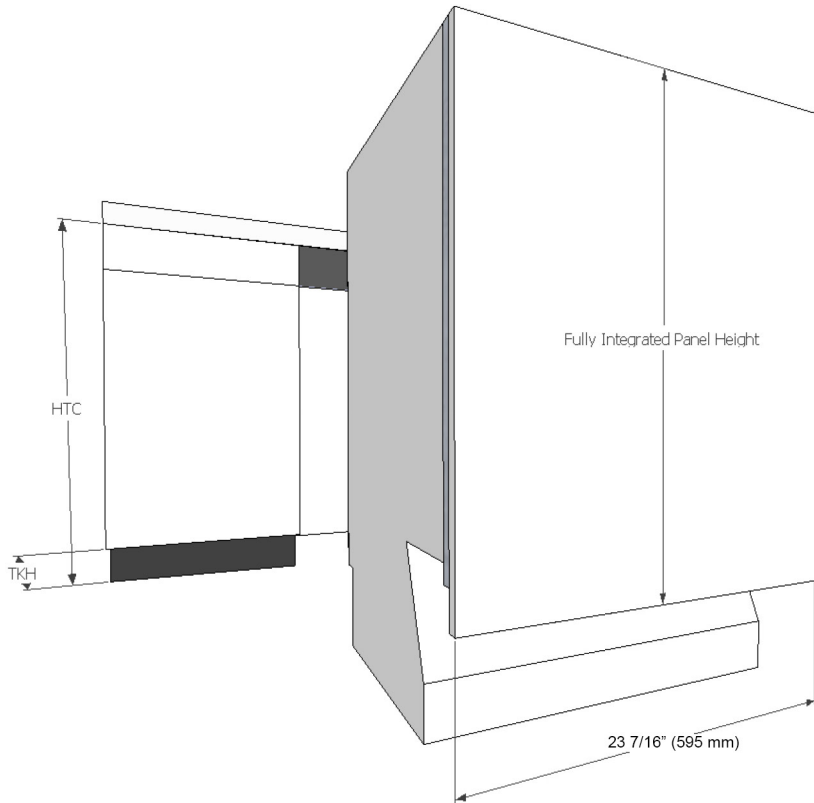
INSTALLATION SPECIFICATIONS



- Drain** - 4 ft 11 in (1.5 m) flexible drain hose.  
(Connects from lower center rear)
- Water** - 4 ft 11 in (1.5 m) flexible water intake hose with 3/8" compression fitting.  
(Connects from lower center rear)
- Electric** - 4 ft 11 in (1.5 m) 120V 15 A 3 wire molded NEMA 5-15 plug power supply.  
(Connects via Front End Supply or may be hardwired)

## Custom Panel Installation

Some Miele dishwashers do not come equipped with a front panel. These dishwashers are designed to accept a custom door panel supplied by a cabinet maker. Miele has a unique panel integration system which allows the dishwasher to align with the surrounding cabinets.



**Width:** 23 7/16" (595 mm) in all Cases  
**Thickness:** 3/4" (19 mm) in all Cases  
**Height:** Determined using the following calculation:

$$\text{Panel Height} = \text{HTC} - \text{TKH}$$

**HTC** = Height to the underside of countertop  
**TKH** = Toe kick height

**Note:** Control panel is along the top edge of the unit. It is not visible when the unit is closed. A handle **MUST** be located on front of panel in order to open unit. (Except K2o models).

Maximum panel height: 30 5/16" (770 mm)

Minimum panel height: 25 9/16" (650 mm)

Maximum panel weight: 21 lbs (9.5 kg)

## GFVI Installations

Miele offers pre-fabricated stainless steel panels for all fully integrated units. These panels are designed for various toe kick heights and offer a choice of handle options. See Miele Product Brochure for more info.

Acceptable Height Installation

Height to underside of countertop

	33 3/4	34	34 1/4	34 1/2	34 3/4	35	35 1/4	35 1/2	35 3/4	36
2 1/2	Acceptable	Acceptable	Acceptable	Acceptable	Acceptable	Not Acceptable	Not Acceptable	Not Acceptable	Not Acceptable	Not Acceptable
3	Acceptable	Acceptable	Acceptable	Acceptable	Acceptable	Acceptable	Acceptable	Acceptable	Not Acceptable	Not Acceptable
3 1/2	Acceptable	Acceptable	Acceptable	Acceptable	Acceptable	Acceptable	Acceptable	Acceptable	Acceptable	Acceptable
4	Acceptable	Acceptable	Acceptable	Typical American	Acceptable	Acceptable	Acceptable	Acceptable	Acceptable	Acceptable
4 1/2	Acceptable	Acceptable	Acceptable	Acceptable	Acceptable	Acceptable	Acceptable	Acceptable	Acceptable	Acceptable
5	Acceptable	Acceptable	Acceptable	Acceptable	Acceptable	Acceptable	Acceptable	Acceptable	Acceptable	Acceptable
5 1/2	Acceptable	Acceptable	Acceptable	Acceptable	Acceptable	Acceptable	Acceptable	Acceptable	Acceptable	Acceptable
6	Acceptable	Acceptable	Acceptable	Acceptable	Acceptable	Acceptable	Acceptable	Acceptable	Acceptable	Acceptable
6 1/2	Acceptable	Acceptable	Acceptable	Acceptable	Acceptable	Acceptable	Acceptable	Acceptable	Acceptable	Acceptable
7	Not Acceptable	Not Acceptable	Acceptable	Acceptable	Acceptable	Acceptable	Acceptable	Acceptable	Acceptable	Acceptable
7 1/2	Not Acceptable	Not Acceptable	Not Acceptable	Not Acceptable	Not Acceptable	Acceptable	Acceptable	Acceptable	Acceptable	Acceptable
8	Not Acceptable	Not Acceptable	Not Acceptable	Not Acceptable	Not Acceptable	Not Acceptable	Not Acceptable	Not Acceptable	Acceptable	Acceptable
8 1/2	Not Acceptable	Not Acceptable	Not Acceptable	Not Acceptable	Not Acceptable	Not Acceptable	Not Acceptable	Not Acceptable	Not Acceptable	Not Acceptable

- Acceptable combinations
- Typical American installation